

BASECRETE[®]

FLEXIBLE WATERPROOFING TECHNOLOGIES

Installation Checklist:



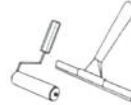
BASECRETE
Kit



SEAL by
Sabal Green Group
Hybrid Polyurethane
Caulking

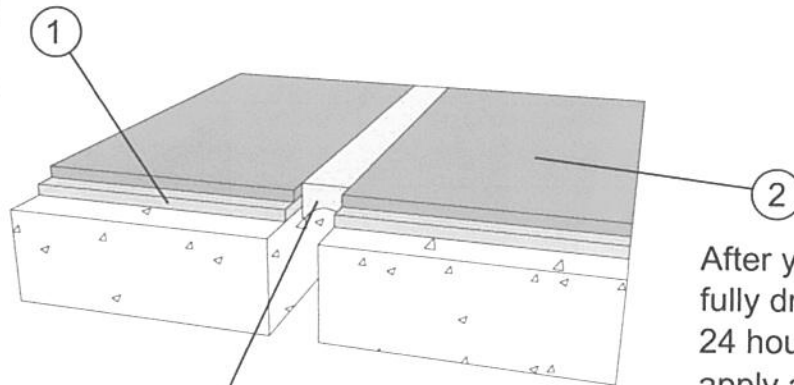


Trowel



Squeegee or
Roller

Apply your first coat $\frac{1}{16}$ "
BASECRETE with a
roller, squeegee or
preferred application
method.



After your first coat has
fully dried (allow at least
24 hours of curing time)
apply a second $\frac{1}{16}$ " coat
of **BASECRETE** and
cure for another 24
Hours.

Complete application with a
cant bead of SEAL Hybrid
Polyurethane Caulking onto
the seam / backer rod and let
it dry thoroughly.

Note: Before starting
application, surfaces must
be clean, from grease, oil
and loosely adhering
particles. Concrete, mortar
and masonry must be
saturated surface dry (SSD),
with no standing water.

Control Joint Application Detail

Version 1.4 Dec 2024

BASECRETE[®]

FLEXIBLE WATERPROOFING TECHNOLOGIES

Installation Checklist:



BASECRETE Kit



Angle Grinder

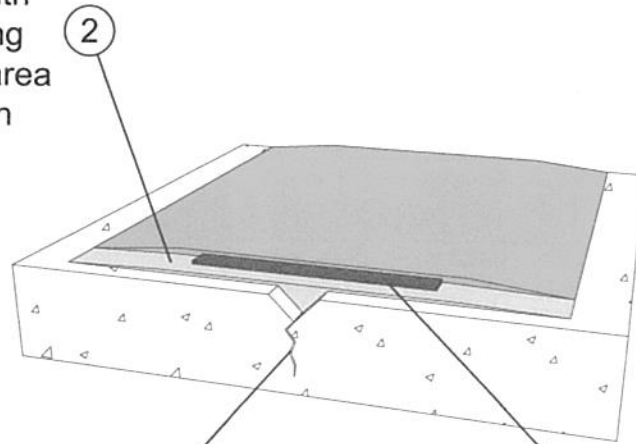


Premium BASECRETE 4" Mesh



Squeegee, Roller or Trowel

Fill the crack area with **BASECRETE** making sure to overlap the area by at least 2" to 3" on each side with a $\frac{1}{16}$ " coat.



FOR CRACKS $\frac{1}{16}$ " to $\frac{1}{4}$ "

Use an angle grinder or similar device to slightly open the crack. Then thoroughly clean and remove all debris.

Apply **BASECRETE MESH** directly onto the wet application and then immediately apply a $\frac{1}{16}$ " second coat that thoroughly covers the mesh. Allow 24 hours to cure.

Note: Before starting application, surfaces must be clean, from grease, oil and loosely adhering particles. Concrete, mortar and masonry must be saturated surface dry (SSD), with no standing water.

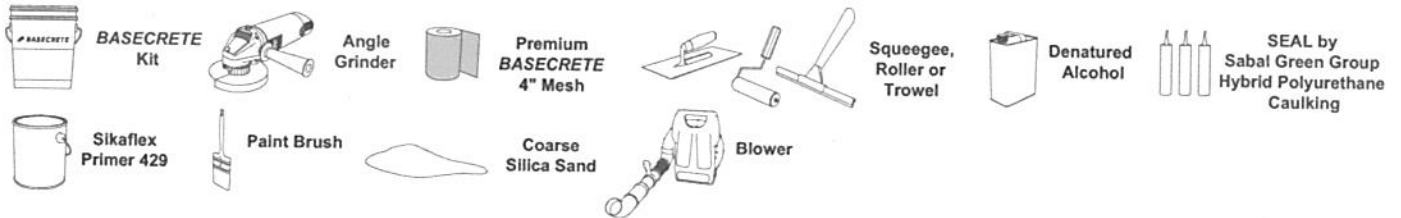
Crack Application Detail

Version 1.4 Dec 2024

BASECRETE[®]

FLEXIBLE WATERPROOFING TECHNOLOGIES

Installation Checklist:



1 Cut full length & depth of crack to a minimum $\frac{1}{2}$ " depth.

2 Clean crack w/ blower to remove any dust or debris.

3 Clean crack w/ Denatured Alcohol using a brush (Proper PPE should be worn).

4 Apply SEAL Hybrid Polyurethane Caulking leaving a minimum $\frac{1}{8}$ " below surface.

5 Aggressively broadcast medium or coarse silica sand immediately after SEAL Caulk application & allow 24 hours to dry.

6 Apply bed of **BASECRETE**.

7 Install **BASECRETE** fiberglass mesh into bed of **BASECRETE** & immediately apply another wet coat of **BASECRETE**.

8 Apply second coat of **BASECRETE**. Mesh should no longer be visible after this coat.

Note: Before starting application, surfaces must be clean, from grease, oil and loosely adhering particles. Concrete, mortar and masonry must be saturated surface dry (SSD), with no standing water.

Crack Application Detail 2

Version 1.4 Dec 2024

BASECRETE[®]

FLEXIBLE WATERPROOFING TECHNOLOGIES

Installation Checklist:



BASECRETE
Kit



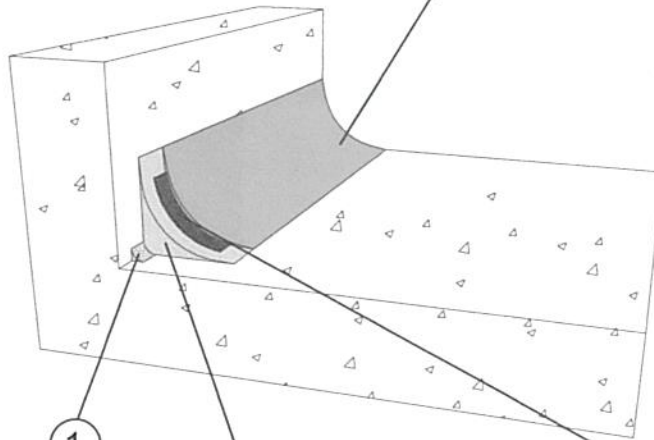
SEAL by
Sabal Green Group
Hybrid Polyurethane
Caulking



Trowel



Premium
BASECRETE
4" Mesh



1 Apply a cant bead of SEAL Hybrid Polyurethane Caulking onto the substrate seam and let it dry thoroughly.

2 Once sealant has dried, apply a cove of wet **BASECRETE** with a trowel onto the horizontal and vertical surfaces. **BASECRETE** must extend a minimum of 3" on each surface plane.

3 Immediately embed 4" **BASECRETE MESH** seam into the wet **BASECRETE** layer created in step two.

4 Immediately trowel another wet **BASECRETE** layer onto the joint, making sure to completely cover the reinforcing mesh and extending at least 3" on the vertical and horizontal surfaces. Then, allow at least 24 hours of curing time.

Note: Before starting application, surfaces must be clean, from grease, oil and loosely adhering particles. Concrete, mortar and masonry must be saturated surface dry (SSD), with no standing water.

Vertical Application Detail

Version 1.4 Dec 2024

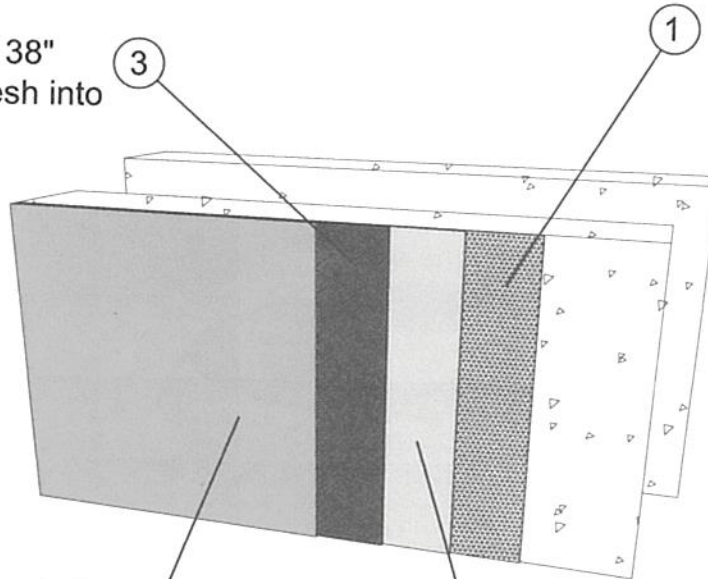
BASECRETE

FLEXIBLE WATERPROOFING TECHNOLOGIES

Installation Checklist:



Embed premium, 38" **BASECRETE** mesh into the wet layer of **BASECRETE**.



① Rasp the surface of your ICF block to prepare for an initial coat of **BASECRETE**.

Trowel a second coat of **BASECRETE** over the mesh while the application is STILL WET. This coat can be back-rolled for desired finish. Use a $\frac{3}{4}$ " nap for plaster finish. Let cure for at least 24 hours.

② Trowel the first layer of **BASECRETE** onto the rasped surface.

Note: Before starting application, surfaces must be clean, from grease, oil and loosely adhering particles. Concrete, mortar and masonry must be saturated surface dry (SSD), with no standing water.

ICF Block Application Detail

Version 1.4 Dec 2024

BASECRETE[®]

FLEXIBLE WATERPROOFING TECHNOLOGIES

Installation Checklist:



BASECRETE
Kit



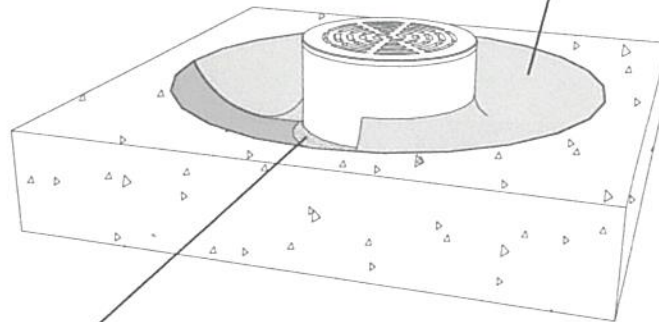
SEAL by
Sabal Green Group
Hybrid Polyurethane
Caulking



Trowel



Paint Brush



1 Apply a cant bead of SEAL Hybrid Polyurethane Caulking sealant around the pipe and let it dry thoroughly.

2 Once sealant has dried, brush on $\frac{1}{8}$ " inch of **BASECRETE** being sure to extend the application up the PVC pipe. Coat the entire drain area and allow 24 hours to dry.

Note: Before starting application, surfaces must be clean, from grease, oil and loosely adhering particles. Concrete, mortar and masonry must be saturated surface dry (SSD), with no standing water.

Drain Application Detail

Version 1.4 Dec 2024

BASECRETE

FLEXIBLE WATERPROOFING TECHNOLOGIES

Installation Checklist:



BASECRETE
Kit



SEAL by
Sabal Green Group
Hybrid Polyurethane
Caulking



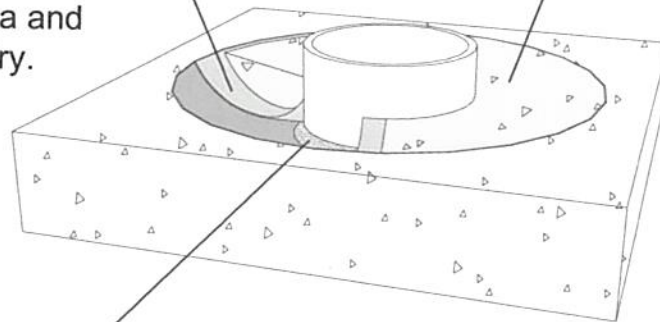
Trowel



Paint Brush

Once sealant has dried, brush on $\frac{1}{8}$ " inch of **BASECRETE** being sure to extend the application up the PVC pipe. Coat the entire drain area and allow 24 hours to dry.

2



3

After **BASECRETE** has cured, full pack the entire area with hydraulic cement. Smooth and allow for full curing time.

Apply a cant bead of SEAL Hybrid Polyurethane Caulking sealant around the pipe and let it dry thoroughly.

1

Note: Before starting application, surfaces must be clean, from grease, oil and loosely adhering particles. Concrete, mortar and masonry must be saturated surface dry (SSD), with no standing water.

Pipe Application Detail

Version 1.4 Dec 2024

BASECRETE[®]

FLEXIBLE WATERPROOFING TECHNOLOGIES

Installation Checklist:



BASECRETE
Kit



1/8" Steel
Laths

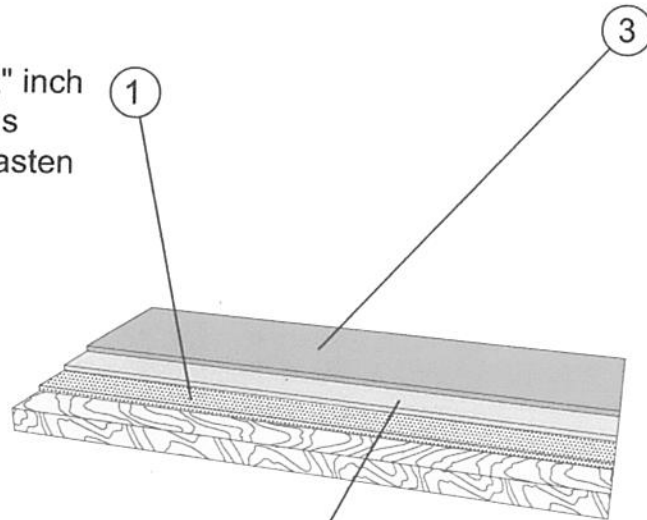


Heavy Duty
or Pneumatic
Staple Gun



Squeegee,
Roller or
Trowel

Begin by installing 1/8" inch galvanized steel laths over the wood and fasten with staples.



Roll, squeegee, spray; trowel or paint on the first coat of **BASECRETE** at 1/8" thickness and allow for at least 24 hours of cure time.

After at least 24 hours, roll, squeegee, spray, trowel or paint on a second coat of **BASECRETE** at 1/8" thickness. Allow to cure for 24 hours.

Note: Before starting application, surfaces must be clean, from grease, oil and loosely adhering particles. Concrete, mortar and masonry must be saturated surface dry (SSD), with no standing water.

Wood Application Detail

Version 1.4 Dec 2024